

MODIFIED ROLLING CHANNELS

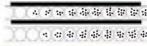
- With inclination
- With channel grouping



INNER RECIRCULATION WITH SOLID LUBRICANTS

- Emergency lubricant
- Manufactures for use with solid lubricants

Graphite + Molybdenum disulfide



Without maintenance
Continuously greasing balls

DOUBLE CONTACT CHANNELS

A new distribution for a bigger load work
Up to +25% of load allowed



GREASE RETAINERS

- Two grease retainers included in the ends
- Made of 190°C resistant material
- Prevents inner lubricant from being lost
- Prevents outer particles from getting inside

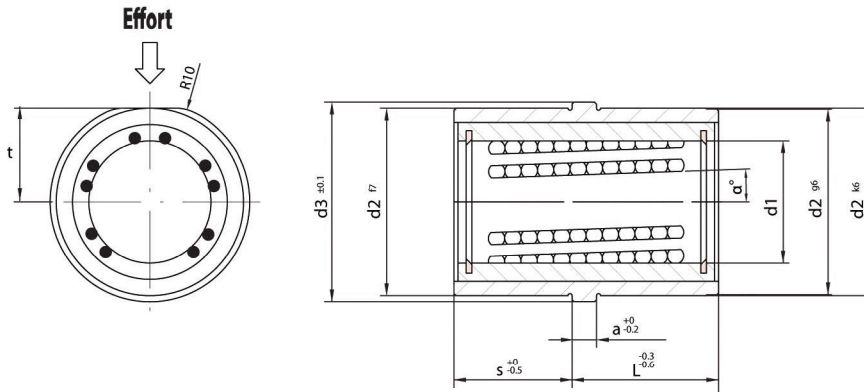


WORKING TEMPERATURE

-5° up to 190°C

MANUFACTURING DIAMETERS

Model B737: Ø12, Ø18, Ø24, Ø30 and Ø40



BOLEXP 737										
d1	L	d2	d3	a	s	t	Ø ball	Number of lines	Item code	
12	17	22	25	6	12	11,25	2,5	6	B737121217	
18	22	30	33	6	17	15,25	3	6	B737181722	
24	27	38	41	6	22	19,25	3	8	B737242227	
30	36	46	49	6	27	23,25	4	8	B737302736	
40	46	60	66	8	27	30,25	4	10	B737402746	

Materials: Special steel bush. Bronze cage with high resistance to wear.
High-precision balls. Hardness: 60-62 HRc.
Solid Lubricants

Please ask for other diameters and lengths different to the ones included in this catalogue.